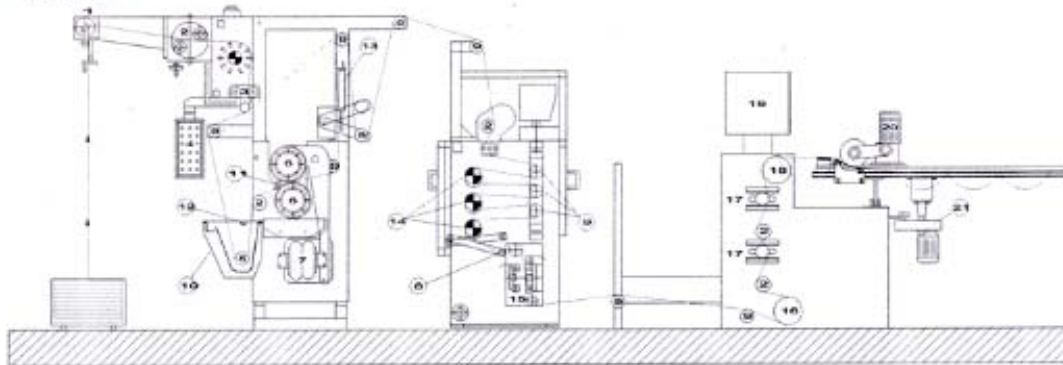




PADDING MANGLE



- | | |
|--|-----------------------------------|
| 1- Fabric tension control roller | 15- Optical reading system |
| 2- Expander rollers | 16- Lower feeding system |
| 3- Centering roller and optical sensor | 17- Skew distortion roller |
| 4- Control panel | 18- Upper feeding roller |
| 5- Liquor trough roller | 19- Entry frame control panel |
| 6- Squeezing roller | 20- Fabric feeding system |
| 7- Air bellow | 21- Cramayer jagged moving system |
| 8- Transversal roller | |
| 9- Idle rollers | |
| 10- Liquor trough | |
| 11- Squeezing roller fountain | |
| 12- Liquor trough fountain | |
| 13- PN. piston | |
| 14- MAY COCK roller | |